



ENCORE BURST RGBW IP



User Manual

©2021 ADJ Products, LLC all rights reserved. Information, specifications, diagrams, images, and instructions herein are subject to change without notice. ADJ Products, LLC logo and identifying product names and numbers herein are trademarks of ADJ Products, LLC. Copyright protection claimed includes all forms and matters of copyrightable materials and information now allowed by statutory or judicial law or hereinafter granted. Product names used in this document may be trademarks or registered trademarks of their respective companies and are hereby acknowledged. All non-ADJ Products, LLC brands and product names are trademarks or registered trademarks of their respective companies.

ADJ Products, LLC and all affiliated companies hereby disclaim any and all liabilities for property, equipment, building, and electrical damages, injuries to any persons, and direct or indirect economic loss associated with the use or reliance of any information contained within this document, and/or as a result of the improper, unsafe, insufficient and negligent assembly, installation, rigging, and operation of this product.

FCC STATEMENT

This device complies with Part 15 of the FCC Rules. Operation is subject to the following two conditions: (1) this device may not cause harmful interference, and (2) this device must accept any interference received, including interference that may cause undesired operation.

FCC RADIO FREQUENCY INTERFERENCE WARNINGS & INSTRUCTIONS

This product has been tested and found to comply with the limits as per Part 15 of the FCC Rules. These limits are designed to provide reasonable protection against harmful interference in a residential installation. This device uses and can radiate radio frequency energy and, if not installed and used in accordance with the included instructions, may cause harmful interference to radio communications. However, there is no guarantee that interference will not occur in a particular installation. If this device does cause harmful interference to radio or television reception, which can be determined by turning the device off and on, the user is encouraged to try to correct the interference by one or more of the following methods:

- **Reorient or relocate the device.**
- **Increase the separation between the device and the receiver.**
- **Connect the device to an electrical outlet on a different circuit than the one connected to the radio receiver.**
- **Consult the dealer or an experienced radio/TV technician for help.**

DOCUMENT VERSION

Due to additional product features and/or enhancements, an updated version of this document may be available online.

Please check www.adj.com for the latest revision/update of this manual before beginning installation and/or programming.

Date	Document Version	Software Version ≥	DMX Channel Mode	Notes
07/03/19	1	1.1	4/6/7/8/11	Initial Version
06/03/21	2	1.4	No Change	Update System Menu, DMX Traits
07/19/21	3	N/C	No Change	Corrected System Menu, DMX Traits

TABLE OF CONTENTS

Introduction	4
Features Warranty Registration	5
Safety Precautions	6
IP65 Notice	7
Overview	8
Installation	9
Connections	10
DMX Set Up	11
DMX Addressing	12
DMX Modes	13
System Menu	16
Multi Unit Power Linking Dimmer Mode Chart	21
Dimensional Drawing Trouble Shooting Cleaning	22
Limited Warranty (USA Only)	23
Specifications	24

INTRODUCTION

Unpacking: Thank you for purchasing the Encore Burst RGBW IP by ADJ Products, LLC. Every Encore Burst RGBW IP has been thoroughly tested and has been shipped in perfect operating condition. Carefully check the shipping carton for damage that may have occurred during shipping. If the carton appears to be damaged, carefully inspect your fixture for any damage and ensure that all accessories necessary to operate the unit have arrived intact. In the event that damage has been found or parts are missing, please contact our toll free customer support number for further instructions. Do not return this unit to your dealer without first contacting customer support.

Introduction: The ADJ Encore Burst RGBW IP is a DMX intelligent, high powered LED fixture. To optimize the performance of this product, please read these operating instructions carefully to familiarize yourself with the basic operations of this unit. These instructions contain important safety information regarding the use and maintenance of this unit. Please keep this manual with the unit for future reference.

Customer Support: Contact ADJ Service for any product related service and support needs. Also visit <https://forums.adj.com/> with questions, comments or suggestions.

Parts: To purchase parts online visit <http://parts.americandj.com>

ADJ SERVICE USA - Monday - Friday 8:00am to 4:30pm PST
Voice: 800-322-6337 | Fax: 323-582-2941 | support@adj.com

ADJ SERVICE EUROPE - Monday - Friday 08:30 to 17:00 CET
Voice: +31 45 546 85 60 | Fax: +31 45 546 85 96 | support@adj.eu

ADJ PRODUCTS LLC USA

6122 S. Eastern Ave. Los Angeles, CA. 90040
323-582-2650 | Fax 323-532-2941 | www.adj.com | info@adj.com

ADJ SUPPLY Europe B.V

Junostraat 2 6468 EW Kerkrade, The Netherlands
+31 (0)45 546 85 00 | Fax +31 45 546 85 99
www.adj.eu | info@americandj.eu

ADJ PRODUCTS GROUP Mexico

AV Santa Ana 30 Parque Industrial Lerma, Lerma, Mexico 52000
+52 (728) 282-7070

Caution! There are no user serviceable parts inside this unit. Do not attempt any repairs yourself, as doing so will void your manufacturer's warranty. In the unlikely event your unit may require service please contact ADJ Products, LLC.

PLEASE recycle the shipping carton when ever possible.

Europe Energy Saving Notice

Energy Saving Matters (EuP 2009/125/EC)

Saving electric energy is a key to help protecting the environment. Please turn off all electrical products when they are not in use. To avoid power consumption in idle mode, disconnect all electrical equipment from power when not in use. Thank you!

FEATURES

- IP65 Outdoor Rated
- Electronic Dimming 0-100%
- DMX-512 protocol
- Multiple DMX Channel Modes
- IP65 Locking 5-Pin XLR Connector In/Out
- Frequency Adjustment
- Gamma Adjustment
- 6 Dimmer Curves With Dimmer Adjustment Speed
- Multiple Unit Power Linking (See **Multiple Unit Power Linking** section of this manual)

WARRANTY REGISTRATION

The Encore Burst RGBW IP carries a 2 year limited warranty. Please fill out the enclosed warranty card to validate your purchase. All returned service items, whether under warranty or not, must be freight pre-paid and accompanied by a return authorization (R.A.) number. The R.A. number must be clearly written on the outside of the return package. A brief description of the problem as well as the R.A. number must also be written down on a piece of paper included in the shipping carton. If the unit is under warranty, you must provide a copy of your proof of purchase invoice. You may obtain an R.A. number by contacting our customer support team on our customer support number. All packages returned to the service department not displaying a R.A. number on the outside of the package will be returned to the shipper.

SAFETY PRECAUTIONS

FOR YOUR OWN PERSONAL SAFETY, PLEASE READ AND UNDERSTAND THIS MANUAL COMPLETELY BEFORE YOU ATTEMPT TO INSTALL OR OPERATE THIS UNIT!

- **THERE ARE NO USER SERVICEABLE PARTS INSIDE THIS UNIT. DO NOT ATTEMPT TO PERFORM ANY REPAIRS YOURSELF, AS DOING SO WILL VOID YOUR MANUFACTURER'S WARRANTY. DAMAGES RESULTING FROM MODIFICATIONS TO THIS FIXTURE AND/OR THE DISREGARD OF SAFETY INSTRUCTIONS AND GUIDELINES IN THIS MANUAL VOID THE MANUFACTURER'S WARRANTY AND ARE NOT SUBJECT TO ANY WARRANTY CLAIMS AND/OR REPAIRS.**
- **DO NOT PLUG THE FIXTURE INTO A DIMMER PACK!**
- **NEVER OPEN THIS FIXTURE WHILE IN USE!**
- **UNPLUG POWER BEFORE SERVICING FIXTURE!**
- **NEVER TOUCH THE FIXTURE DURING OPERATION, AS IT MAY BE HOT!**
- **KEEP FLAMMABLE MATERIALS AWAY FROM FIXTURE!**
- **ENSURE ALL CONNECTIONS AND END CAPS ARE PROPERLY SEALED WITH A DIELECTRIC GREASE (AVAILABLE AT MOST ELECTRICAL SUPPLIERS) TO PREVENT WATER CORROSION AND REDUCE THE RISK OF AN ELECTRICAL SHORT CIRCUIT.**
- **IF THE FIXTURE IS EXPOSED TO ENVIRONMENTAL TEMPERATURE CHANGES SUCH AS RELOCATION FROM A COLD OUTDOOR ENVIRONMENT TO A WARM INDOOR ENVIRONMENT, DO NOT POWER THE FIXTURE ON IMMEDIATELY. INTERNAL CONDENSATION AS A RESULT OF ENVIRONMENTAL TEMPERATURE CHANGE CAN CAUSE INTERNAL FIXTURE DAMAGE. LEAVE THE FIXTURE POWERED OFF UNTIL IT HAS REACHED ROOM TEMPERATURE BEFORE POWERING ON.**
- **NEVER LOOK DIRECTLY INTO THE LIGHT SOURCE! DOING SO POSES A SERIOUS RETINA INJURY RISK AND MAY INDUCE BLINDNESS! SENSITIVE PERSONS MAY SUFFER AN EPILEPTIC SHOCK!**
- Be sure that the local power outlet matches the required voltage for your unit.
- Do not attempt to operate this unit if the power cord is frayed or broken.
- Do not attempt to remove or break off the ground prong from the electrical cord. This prong is used to reduce the risk of electrical shock and fire in case of an internal short.
- Disconnect from main power before making any type of connection.
- Do not remove the cover for any reason. There are no user serviceable parts inside.
- Never operate this unit with the cover removed.
- Always be sure to mount this unit in an area that will allow proper ventilation. Allow about 6" (15cm) between this device and a wall.
- Do not attempt to operate this unit if it has been damaged in any way.
- Always mount this unit in a safe and stable matter.
- Power-supply cords should be routed so that they are not likely to be walked on or pinched by items placed upon or against them, paying particular attention to cords at plugs, convenience receptacles, and the point at which they exit from the appliance.
- Cleaning - The fixture should be cleaned only as recommended by the manufacturer. See the Cleaning section of this manual for details.
- Heat - This fixture should be situated away from heat sources such as radiators, heat registers, stoves, or other appliances (including amplifiers) that produce heat.
- The fixture should be serviced by qualified service personnel when the appliance does not appear to operate normally or exhibits a marked change in performance.

IP65 NOTICE

IP65 RATED

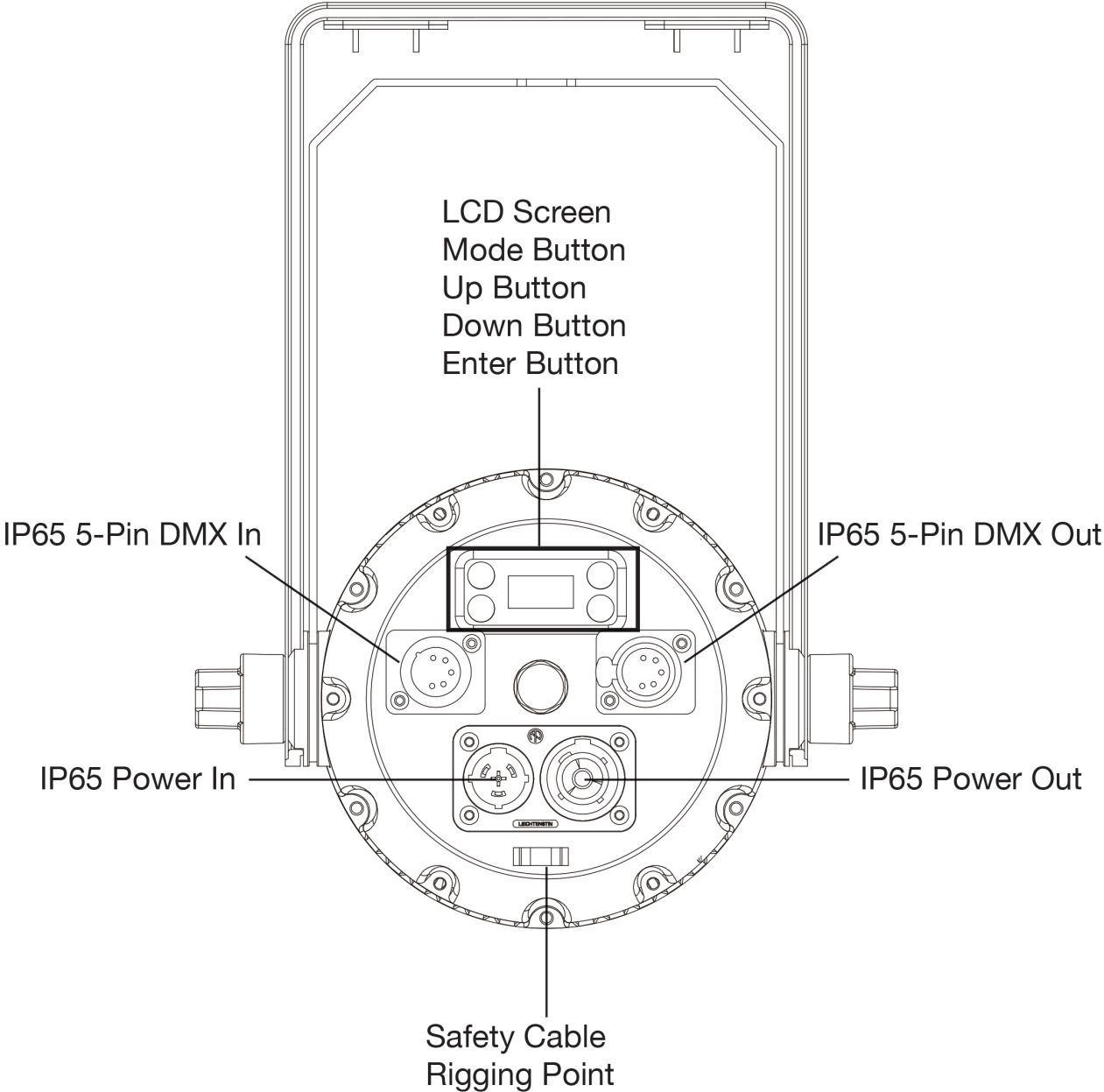
An IP rated lighting fixture is one that is commonly installed in outdoor environments and has been designed with an enclosure that effectively protects the ingress (entry) of external foreign objects such as dust and water. The International Protection (IP) rating system is commonly expressed as “IP” (Ingress Protection) followed by two numbers (i.e. IP65) where the numbers define the degree of protection. The first digit (Foreign Bodies Protection) indicates the extent of protection against particles entering the fixture and the second digit (Water Protection) indicates the extent of protection against water entering the fixture. **This device holds an IP65 rating, meaning it has been designed and tested to protect against the ingress of dust (6) and low-pressure water jets from any direction (5).**

MARINE/COASTAL ENVIRONMENT INSTALLATIONS

NOT suitable for marine and/or coastal environment installations. Installing this fixture in a marine and/or coastal environment may cause corrosion and/or excessive wear to the interior and/or exterior components of the fixture. Damages and/or performance issues resulting from installation in a marine and/or coastal environment will void the manufacturer’s warranty and will NOT be subject to any warranty claims and/or repairs.



OVERVIEW



INSTALLATION

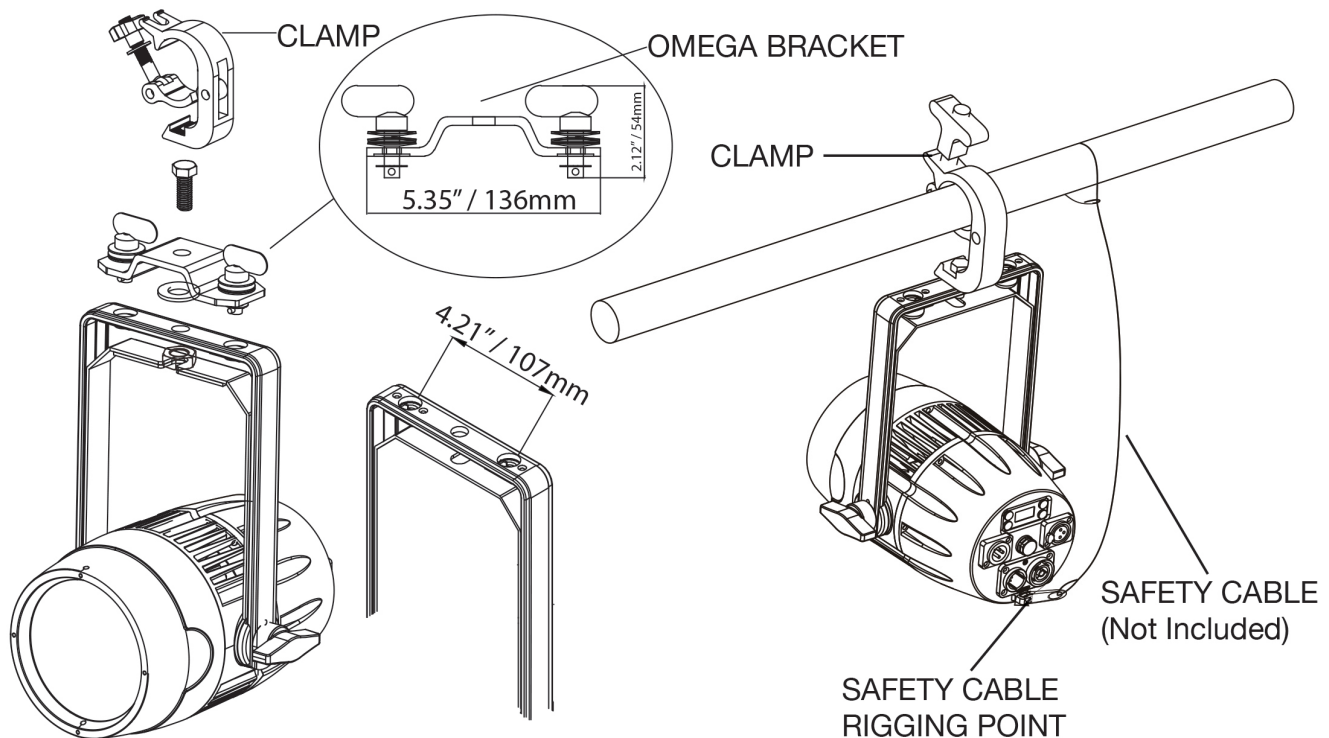
Always ensure that the unit is firmly fixed to avoid vibration and slipping during operation. Always ensure that the structure to which you are attaching the unit is secure and is able to support at least 10 times the unit's weight. **ALWAYS** use safety cables that can hold 12 times the weight of the unit when installing the fixture. This equipment must be installed by a professional, and it must be installed in a place where it is out of the reach of people's grasp.

The Encore Burst RGBW IP is fully operational in three different mounting positions: hanging upside-down, mounted sideways on trussing, or set on a flat level surface. Be sure this fixture is kept at least 12m (40ft) away from any flammable materials (decoration etc).

OVERHEAD RIGGING: The Encore Burst RGBW IP includes two rigging options.

- 1. OMEGA BRACKET** - Mount the fixture with an appropriately rated professional grade rigging clamp (not included) to the included Omega Bracket using an M12 screw and nut (not included). With the rigging clamp securely attached to the Omega Bracket, attach the Omega Bracket to the fixture by inserting both of the 1/4-turn quick-lock fasteners into the aligning holes on the fixture yoke bracket, and turning each quick-lock fastener clockwise to secure. **MAKE SURE THE OMEGA BRACKET IS SECURELY ATTACHED BEFORE RIGGING FIXTURE!**
- 2. MOUNTING YOKE** - Mount the fixture with an appropriately rated professional grade rigging clamp (not included) to the fixture yoke bracket center hole using an M12 screw and nut (not included). **MAKE SURE THE CLAMP IS SECURELY ATTACHED BEFORE RIGGING FIXTURE!**

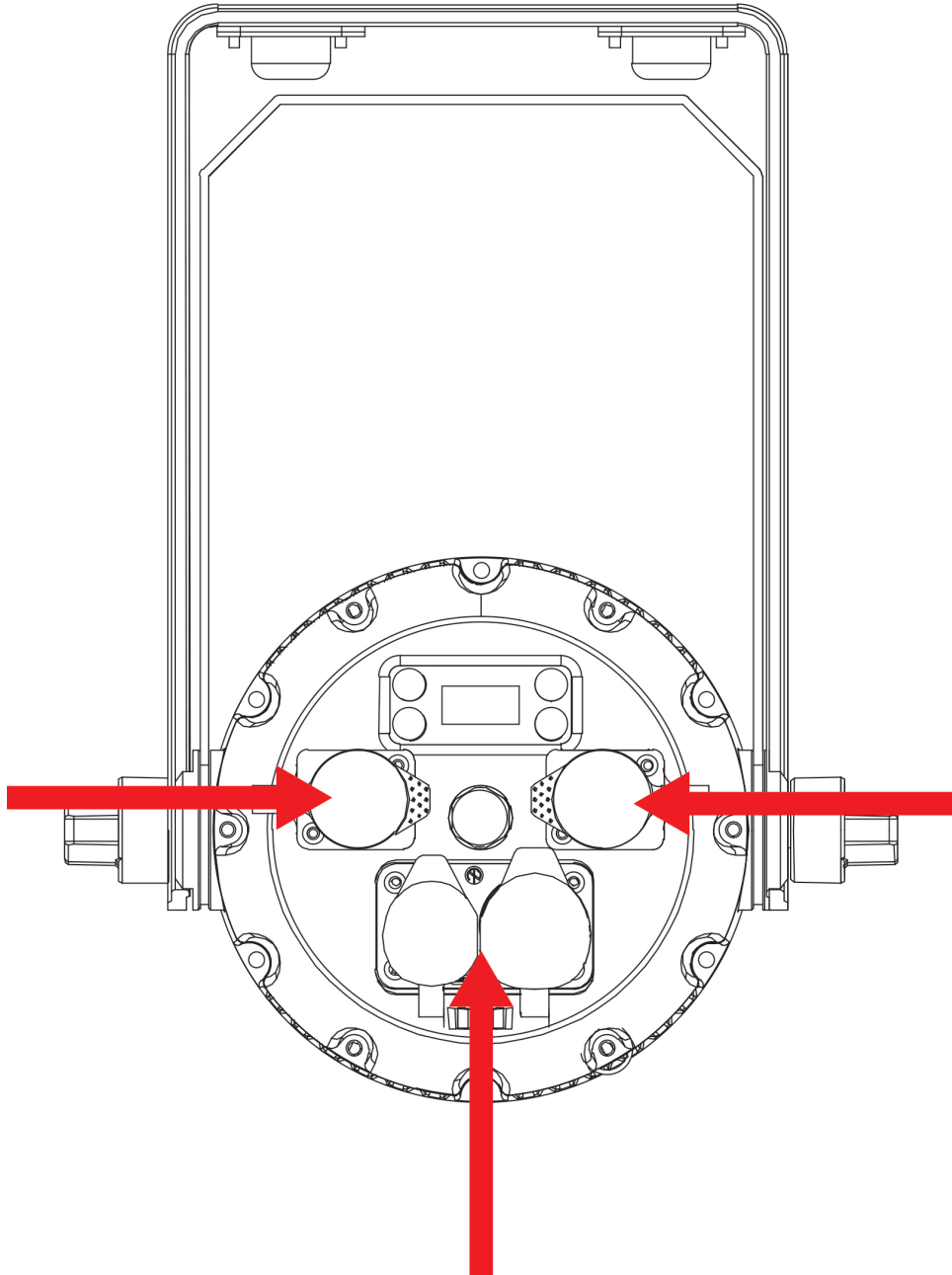
SAFETY CABLE: Pull the safety-cable through the opening located on the rear of the unit and over the trussing system or a safe fixation spot. Insert the end in the carabine and tighten the safety screw. **ALWAYS** use and install a safety cable as a safety measure to prevent accidental damage and/or injury in the event the clamp fails.



CONNECTIONS

ENSURE ALL CONNECTIONS AND END CAPS ARE PROPERLY SEALED WITH A DIELECTRIC GREASE (AVAILABLE AT MOST ELECTRICAL SUPPLIERS) TO PREVENT WATER CORROSION AND REDUCE THE RISK OF AN ELECTRICAL SHORT CIRCUIT.

TO MAINTAIN IP65 RATING INTEGRITY AND PREVENT WATER FROM ENTERING THE FIXTURE, ALL UNUSED CONNECTION RUBBER CAPS MUST BE SEALED. ONLY IP65 RATED POWER AND DATA CABLES MUST BE USED.



DMX SET UP

DMX-512: DMX is short for Digital Multiplex. This is a universal protocol used as a form of communication between intelligent fixtures and controllers. A DMX controller sends DMX data instructions from the controller to the fixture. DMX data is sent as serial data that travels from fixture to fixture via the DATA “IN” and DATA “OUT” XLR terminals located on all DMX fixtures (most controllers only have a DATA “OUT” terminal).

DMX Linking: DMX is a language allowing all makes and models of different manufacturers to be linked together and operate from a single controller, as long as all fixtures and the controller are DMX compliant. To ensure proper DMX data transmission, try to use the shortest path possible when linking several DMX fixtures. The order in which fixtures are connected in a DMX line does not influence the DMX addressing. For example, a fixture assigned a DMX address of 1 may be placed anywhere in a DMX line: at the beginning, at the end, or anywhere in the middle. When a fixture is assigned a DMX address of 1, the DMX controller knows to send DATA assigned to address 1 to that unit, no matter where it is located in the DMX chain.

Data Cable (DMX Cable) Requirements (For DMX Operation): The Encore Burst RGBW IP can be controlled via DMX-512 protocol. The Encore Burst RGBW IP has multiple DMX channel modes. Your unit and your DMX controller requires a 5-pin XLR connector for data input and data output. We recommend Accu-Cable DMX cables. If you are making your own cables, be sure to use standard 110-120 Ohm shielded cable (This cable may be purchased at almost all pro lighting stores). Your cables should be made with a male XLR connector on one end and a female XLR connector on the other. Also remember that DMX cable must be daisy chained and cannot be split.

Special Note: Line Termination. When longer runs of cable are used, you may need to use a terminator on the last unit to avoid erratic behavior. A terminator is a 110-120 ohm 1/4 watt resistor which is connected between pins 2 and 3 of a male XLR connector (DATA + and DATA -). This unit is inserted in the female XLR connector of the last unit in your daisy chain to terminate the line. Using a cable terminator (ADJ part number Z-DMX/T) will decrease the chance of erratic behavior.

TO MAINTAIN IP65 RATING INTEGRITY AND PREVENT WATER FROM ENTERING THE FIXTURE, ALL UNUSED CONNECTION RUBBER CAPS MUST BE SEALED AND ONLY IP65 RATED POWER AND DATA CABLES MAY BE USED.

DMX ADDRESSING

All fixtures should be given a DMX starting address when using a DMX controller, to ensure that the correct fixture responds to the correct control signal. This digital starting address is the channel number from which the fixture starts to “listen” to the digital control signal sent out from the DMX controller. The starting DMX address is assigned by setting the correct DMX address on the digital control display on the fixture.

You can set the same starting address for all fixtures or a group of fixtures, or set different addresses for each individual fixture. Setting all fixtures to the same DMX address will cause all fixtures to react in the same way; in other words, changing the settings of one channel will affect all the fixtures simultaneously.

If you set each fixture to a different DMX address, each unit will start to “listen” to the channel number you have set, based on the quantity of DMX channels of each fixture. That means changing the settings of one channel will only affect the selected fixture.

In the case of the Encore Burst RGBW IP, when in 4 channel mode you should set the starting DMX address of the first unit to 1, the second unit to 5 (4 + 1), the third unit to 9 (5 + 4), and so on. (See chart below for more details.)

Channel Mode	Unit 1 Address	Unit 2 Address	Unit 3 Address	Unit 4 Address
4 Ch	1	5	9	13
6 Ch	1	7	13	19
7 Ch	1	8	15	22
8 Ch	1	9	17	25
11 Ch	1	12	23	34

DMX MODES

CHANNEL					DMX VALUES	DESCRIPTION
4-CH	6-CH	7-CH	8-CH	11-CH		
1	1	1	1	1	000 - 255	Red , 0-100%
2	2	2	2	2	000 - 255	Green , 0-100%
3	3	3	3	3	000 - 255	Blue , 0-100%
4	4	4	4	4	000 - 255	White , 0-100%
						Color Macros
					000 - 007	No effect
					008 - 015	Moroccan pink
					016 - 022	Pink
					023 - 030	Special rose pink
					031 - 037	Fillies pink
					038 - 045	Fuchsia pink
					046 - 052	Surprise pink
					053 - 060	Congo blue
					061 - 067	Tokyo blue
					068 - 075	Deep blue
					076 - 082	Just blue
					083 - 090	Medium blue
				5	091 - 097	Double CT blue
					098 - 105	State blue
					106 - 112	Full CT blue
					113 - 120	Half CT blue
					121 - 127	Steel blue
					128 - 135	Lighter blue
					136 - 142	Light blue
					143 - 150	Medium blue green
					151 - 157	Dark green
					158 - 165	Primary green
					166 - 172	Moss green
					173 - 180	Fern green
					181 - 187	JAS green
					188 - 195	Lime Green

CONTINUED ON NEXT PAGE

DMX MODES

CHANNEL					DMX VALUES	DESCRIPTION
4-CH	6-CH	7-CH	8-CH	11-CH		
						Color Macros (cont'd from prev page)
				5	196 - 202	Spring yellow
				5	203 - 210	Deep amber
				5	211 - 217	Chrome orange
				5	218 - 225	Orange
				5	226 - 232	Gold amber
				5	233 - 240	Millennium gold
				5	241 - 247	Deep gold amber
				5	248 - 255	Flame red
						Shutter
				6	000 - 031	Shutter closed (LEDs off)
				6	032 - 063	Shutter open (LEDs on)
		5	5	6	064 - 095	Strobe effect, slow to fast
				6	096 - 127	Shutter open (LEDs on)
				6	128 - 159	Pulse effect in sequences
				6	160 - 191	Shutter open (LEDs on)
				6	192 - 223	Random strobe effect, slow to fast
				6	224 - 255	Shutter open (LEDs on)
	5	6	6	7	000 - 255	Dimmer , 0-100%
	6	7	7	8	000 - 255	Dimmer Fine , 0-100%
						Dim Modes
				9	000 - 020	Standard
				9	021 - 040	Stage
				9	041 - 060	TV
			8	9	061 - 080	Architectural
				9	081 - 100	Theatre
				9	101 - 120	Stage 2
				9	121 - 140	Dim speed, fast to slow (0.1s-10.0s)
				9	141 - 255	Default

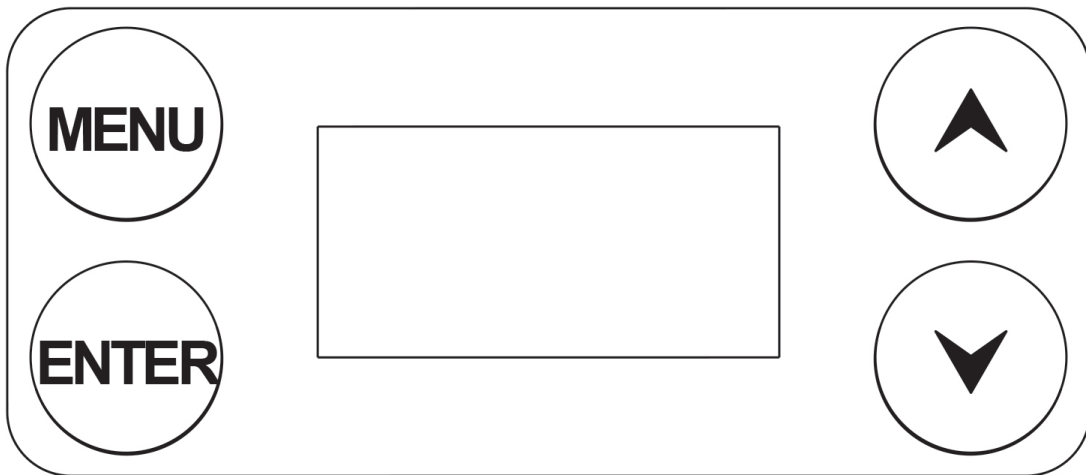
CONTINUED ON NEXT PAGE

DMX MODES

CHANNEL					DMX VALUES	DESCRIPTION
4-CH	6-CH	7-CH	8-CH	11-CH		
				10		<i>Refresh Rates</i>
					000 - 015	Default
					016 - 030	900 Hz
					031 - 045	1000 Hz
					046 - 060	1100 Hz
					061 - 075	1200 Hz
					076 - 090	1300 Hz
					091 - 105	1400 Hz
					106 - 120	1500 Hz
					121 - 135	2500 Hz
					136 - 150	4000 Hz
					151 - 165	5000 Hz
					166 - 180	6000 Hz
					181 - 255	No function
				11		<i>Gamma</i>
					000 - 020	Default
					021 - 040	1.0
					041 - 060	2.0
					061 - 080	2.2
					081 - 100	2.4
					101 - 120	2.6
					121 - 130	2.8
				131 - 255	No function	

SYSTEM MENU

The fixture includes an easy to navigate system menu control panel display where all necessary settings and adjustments can be made. (See image below) During normal operation, pressing the MENU button once will access the fixture's main menu. Once in the main menu, you can navigate through the different options with the UP, DOWN, and MENU buttons. When you reach a field that requires adjusting, press the ENTER button to access that field and use the UP and DOWN buttons to adjust the field. Pressing the ENTER button once more to confirm your setting. You may exit the menu at any time without making any adjustments by pressing the MENU button. If there are no changes/adjustments made within 10 seconds, the unit will revert back to the setting made under "No DMX State".



SYSTEM MENU

DMX ADDRESS	001 - 512			
DMX CH Mode	4 ch			
	6 ch			
	7 ch			
	8 ch			
	11 ch			
No DMX Status	Hold Last			
	Blackout			
	Manual			
Dim Modes	Standard			
	Stage			
	TV			
	Architectural			
	Theatre			
	Stage 2			
	Dim Speed	0.1s - 10.0s		
LED Refresh Rate	900-1500, 2500, 4000, 5000, 6000 Hz		Default = 1200 Hz	
Gamma	1.0			
	2.0			
	2.2			
	2.4			
	2.6			
	2.8			
Display	Backlight	ON / OFF		
	Display Lock	ON / OFF		
Service	Passcode	Effect Adjust	Red (000-255)	Passcode = 011
			Green (000-255)	
			Blue (000-255)	
			White (000-255)	
	Factory Restore	Passcode		
CONTINUED ON NEXT PAGE				

SYSTEM MENU

Manual Control	Red	000 - 255			
	Green	000 - 255			
	Blue	000 - 255			
	White	000 - 255			
	Strobe	000 - 255			
	Dimmer	000 - 255			
	Program	Program0			
		Program1			
		Program2			
		Program3			
Program4					
Program Speed	000 - 255				
Fade Time	0 - 100%				
Information	Fixture Life Time	Power On Time	xxxxxx Hours		
		P-On Time-R	xxxxxx Hours		
		P-On Time Reset	Passcode	Passcode = 050	
	Total LED Time	xxxxxx Hours			
		LED On Time-R	xxxxxx Hours		
		LED Time Reset	Passcode	Passcode = 050	
	Fixture Temps	Current	xxx°		
		Max Resettable ⁽¹⁾	xxx°		
		Max Not Resettable ⁽²⁾	xxx°		
		Rst Temp History	Passcode	Passcode = 050	
	DMX Value ⁽³⁾	Red	000-255		
		Green	000-255		
		Blue	000-255		
		White	000-255		
		Strobe	000-255		
		Dimmer	000-255		
	Software Version	x.xx			

Notes:

1. Current Maximum Temperature - Maximum fixture temp that has been recorded, before reset and after reset.
2. Maximum Temperature - Overall maximum fixture temp that has been recorded. (Not Resettable)
3. DMX value options depend on the DMX Channel mode the fixture is set to.

SYSTEM MENU

DMX ADDRESS - Use this menu to set your desired DMX address.

DMX CH MODE - In this menu you can find and set your desired DMX channel mode.

NO DMX STATUS - Use this menu to control how your device will behave in the event that DMX signal is lost or interrupted. Available options are shown below:

- **Hold Last** - This setting will have the fixture stay in the last DMX setup.
- **Blackout** - This setting will have the fixture automatically go into stand by mode.
- **Manual** - This setting will go into the current manual control set up. See the **Manual Control** section below for details.

DIM MODES - In this menu you are able to select your desired dimmer mode and adjust the dimming speed time.

LED REFRESH RATE - In this menu you are able to select your desired LED refresh rate.

GAMMA - In this menu you are able to select your desired gamma setting.

DISPLAY - In this menu you you are able to activate/deactivate the backlighting and the display lock feature.

SERVICE - In this menu you are able to access and adjust/change: the calibration (effect adjust) and restore the factory settings.

MANUAL CONTROL - This menu is for manual testing and manual control. The color, dimmer, strobe, and program parameters can be tested/adjusted. The fixture must be set to "Manual" under "No DMX State".

INFORMATION - FIXTURE LIFE TIME

- **Power On Time** -The TOTAL power ON running time of the unit is displayed. This time CANNOT be reset.
- **P-On Time-R** - The CURRENT power ON running time of the unit is displayed. This running time may not be the same as the TOTAL power ON running time displayed under "Power On Time". This time CAN be reset. *NOTE: The displayed time represents the current power ON time since the last reset.*
- **P-On Time-Reset** - Reset the CURRENT power ON running time that is displayed under "P-On Time-R".

INFORMATION - TOTAL LED TIME

- **LED On Time** - The TOTAL LED ON time is displayed. This total LED ON time CANNOT be reset. *NOTE: The displayed time represents the TOTAL LED ON time.*
- **LED On Time-R** - The CURRENT LED ON running time is displayed. This running time may not be the same as the total LED ON time displayed under "LED On Time". This total LED ON time CAN be reset. *NOTE: The displayed time represents the current LED ON time since the last reset.*
- **LED On Time Reset** - With this function you can reset the CURRENT LED ON time that is displayed under "LED On Time-R".

SYSTEM MENU

INFORMATION - FIXTURE TEMPS

Current - The current unit temperature is displayed.

Max Resettable - Maximum temperature that has been recorded, before reset and after reset. This temperature may not be the same as the temperature displayed under “CURRENT” or “MAX NOT RESETTABLE”. This temperature CAN be reset. *NOTE: The displayed temperature represents the highest temperature the fixture has reached since the last reset.*

Max Not Resettable - Overall maximum temperature that has been recorded. This temperature CANNOT be reset, and could continue rise.

Rst Temp History - Reset the “Max Resettable” temperature.

INFORMATION - DMX VALUES - Displays the DMX values of any DMX channel that is currently in use. *NOTE: DMX value options depend on the current DMX channel mode setting.*

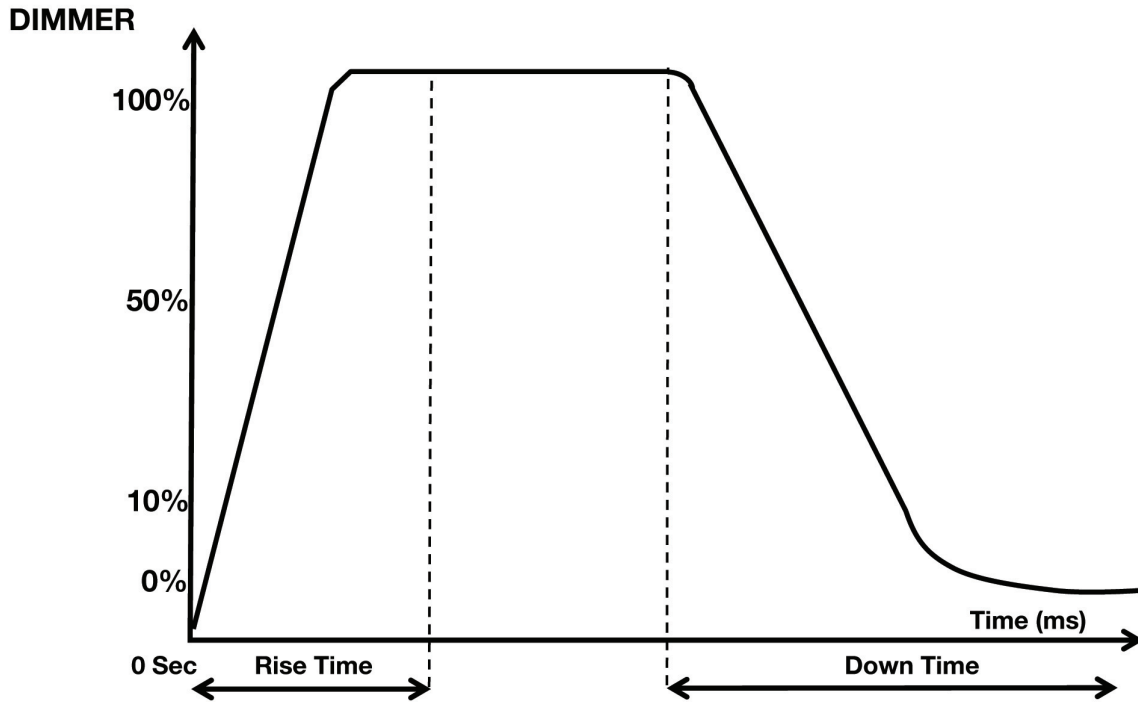
INFORMATION - SOFTWARE VERSION - The current software version is displayed.

MULTIPLE UNIT POWER LINKING

This feature allows users to link multiple units together using the power cable input and output sockets.

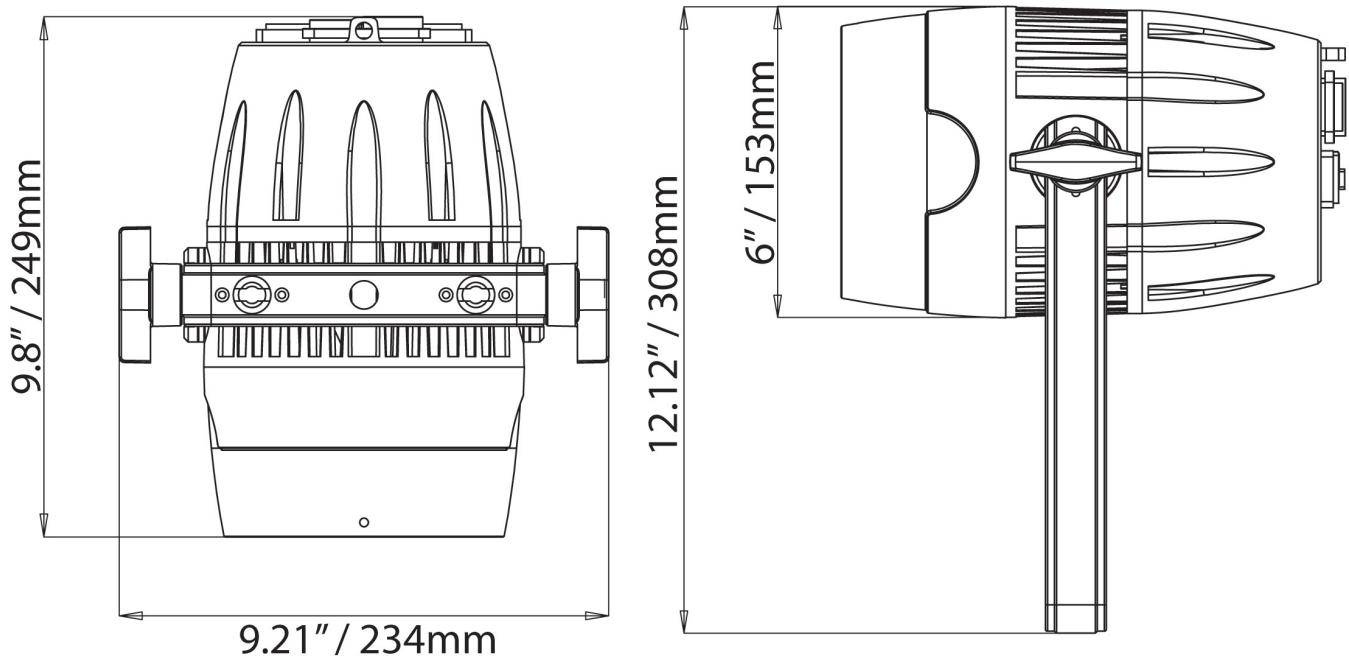
NOTE: USE CAUTION WHEN POWER LINKING FIXTURES OF DIFFERENT MODEL TYPES, AS THE POWER CONSUMPTION OF OTHER MODELS MAY EXCEED THE MAX POWER OUTPUT ON THIS FIXTURE! CHECK SILK SCREEN FOR MAX AMPS.

DIMMER MODE CHART



Dimming Curve Ramp Effect	0 sec Fade Time		1 sec Fade Time	
	Rise Time (ms)	Down Time (ms)	Rise Time (ms)	Down Time (ms)
Standard (default)	0	0	0	0
Stage	780	1100	1540	1660
TV	1180	1520	1860	1940
Architectural	1380	1730	2040	2120
Theatre	1580	1940	2230	2280
Stage 2	0	1100	0	1660

DIMENSIONAL DRAWINGS



TROUBLE SHOOTING

Listed below is a common problem the user may encounter, with a potential solution.

Unit not responding to DMX:

Check that the DMX cables are connected and wired correctly (pin 3 is “hot”; on some other DMX devices pin 2 may be ‘hot’). Also, check that all cables are connected to the right connectors. The order in which the inputs and outputs are connected can affect the unit’s operation.

CLEANING

Due to fog residue, smoke, and dust, cleaning the internal and external optical lenses must be carried out periodically to optimize light output.

1. Use normal glass cleaner and a soft cloth to wipe down the outside casing.
2. Clean the external optics with glass cleaner and a soft cloth every 20 days.

Cleaning frequency depends on the environment in which the fixture operates (i.e. smoke, fog residue, dust, dew).

LIMITED WARRANTY (USA ONLY)

MANUFACTURER'S LIMITED WARRANTY

- A. ADJ Products, LLC hereby warrants, to the original purchaser, ADJ Products, LLC products to be free of manufacturing defects in material and workmanship for a prescribed period from the date of purchase (see specific warranty period on reverse). This warranty shall be valid only if the product is purchased within the United States of America, including possessions and territories. It is the owner's responsibility to establish the date and place of purchase by acceptable evidence, at the time service is sought.
- B. For warranty service you must obtain a Return Authorization number (RA#) before sending back the product—please contact ADJ Products, LLC Service Department at 800-322-6337. Send the product only to the ADJ Products, LLC factory. All shipping charges must be pre-paid. If the requested repairs or service (including parts replacement) are within the terms of this warranty, ADJ Products, LLC will pay return shipping charges only to a designated point within the United States. If the entire instrument is sent, it must be shipped in its original package. No accessories should be shipped with the product. If any accessories are shipped with the product, ADJ Products, LLC shall have no liability whatsoever for loss of or damage to any such accessories, nor for the safe return thereof.
- C. This warranty is void if the serial number has been altered or removed; if the product is modified in any manner which ADJ Products, LLC concludes, after inspection, affects the reliability of the product; if the product has been repaired or serviced by anyone other than the ADJ Products, LLC factory unless prior written authorization was issued to purchaser by ADJ Products, LLC; if the product is damaged because not properly maintained as set forth in the instruction manual.
- D. This is not a service contract, and this warranty does not include maintenance, cleaning or periodic check up. During the period specified above, ADJ Products, LLC will replace defective parts at its expense with new or refurbished parts, and will absorb all expenses for warranty service and repair labor by reason of defects in material or workmanship. The sole responsibility of ADJ Products, LLC under this warranty shall be limited to the repair of the product, or replacement thereof, including parts, at the sole discretion of ADJ Products, LLC. All products covered by this warranty were manufactured after August 15, 2012, and bear identifying marks to that effect.
- E. ADJ Products, LLC reserves the right to make changes in design and/or improvements upon its products without any obligation to include these changes in any products theretofore manufactured.

No warranty, whether expressed or implied, is given or made with respect to any accessory supplied with products described above. Except to the extent prohibited by applicable law, all implied warranties made by ADJ Products, LLC in connection with this product, including warranties of merchantability or fitness, are limited in duration to the warranty period set forth above. And no warranties, whether expressed or implied, including warranties of merchantability or fitness, shall apply to this product after said period has expired. The consumer's and/or Dealer's sole remedy shall be such repair or replacement as is expressly provided above; and under no circumstances shall ADJ Products, LLC be liable for any loss or damage, direct or consequential, arising out of the use of, or inability to use, this product.

This warranty is the only written warranty applicable to ADJ Products, LLC Products and supersedes all prior warranties and written descriptions of warranty terms and conditions heretofore published.

MANUFACTURER'S LIMITED WARRANTY PERIODS

- **Non L.E.D. Lighting Products = 1-year (365 days) Limited Warranty** (Such as: Special Effect Lighting, Intelligent Lighting, UV lighting, Strobes, Fog Machines, Bubble Machines, Mirror Balls, Par Cans, Trussing, Lighting Stands etc. excluding LED and lamps)
- **Laser Products = 1 Year (365 Days) Limited Warranty** (excluding laser diodes which have a 6 month limited warranty)
- **L.E.D. Products = 2-year (730 days) Limited Warranty** (excluding batteries which have a 180 day limited warranty).
Note: 2 Year Warranty only applies to purchases within the United States.
- **StarTec Series = 1 Year Limited Warranty** (excluding batteries which have a 180 day limited warranty).
- **ADJ DMX Controllers = 2 Year (730 Days) Limited Warranty**

SPECIFICATIONS

MODEL:	Encore Burst RGBW IP
Voltage:	100V~240V, 50Hz/60Hz
LEDs:	1 x 150W RGBW 4-in-1 COB LED
IP Rating:	IP65
Working Position:	Any safe working position
Power Draw	121W
Weight:	8 Lbs. / 3.6 Kgs.
Dimensions:	9.21" (L) x 9.8" (W) x 12.12" (H) 234 x 249 x 308mm
DMX Channels:	5 DMX Modes: 4 / 6 / 7 / 8 / 11
Warranty:	2 Years (730 Days)
Control:	DMX, RDM (remote device management), Stand Alone

Please Note: Specifications and improvements in the design of this unit and this manual are subject with change without any prior written notice.

